

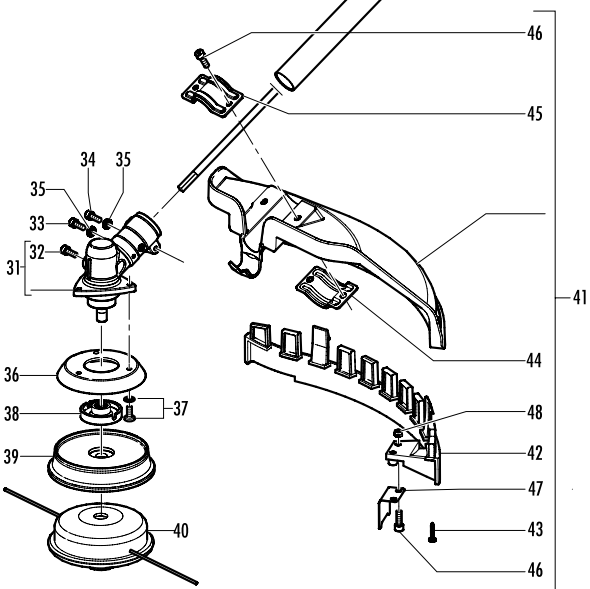
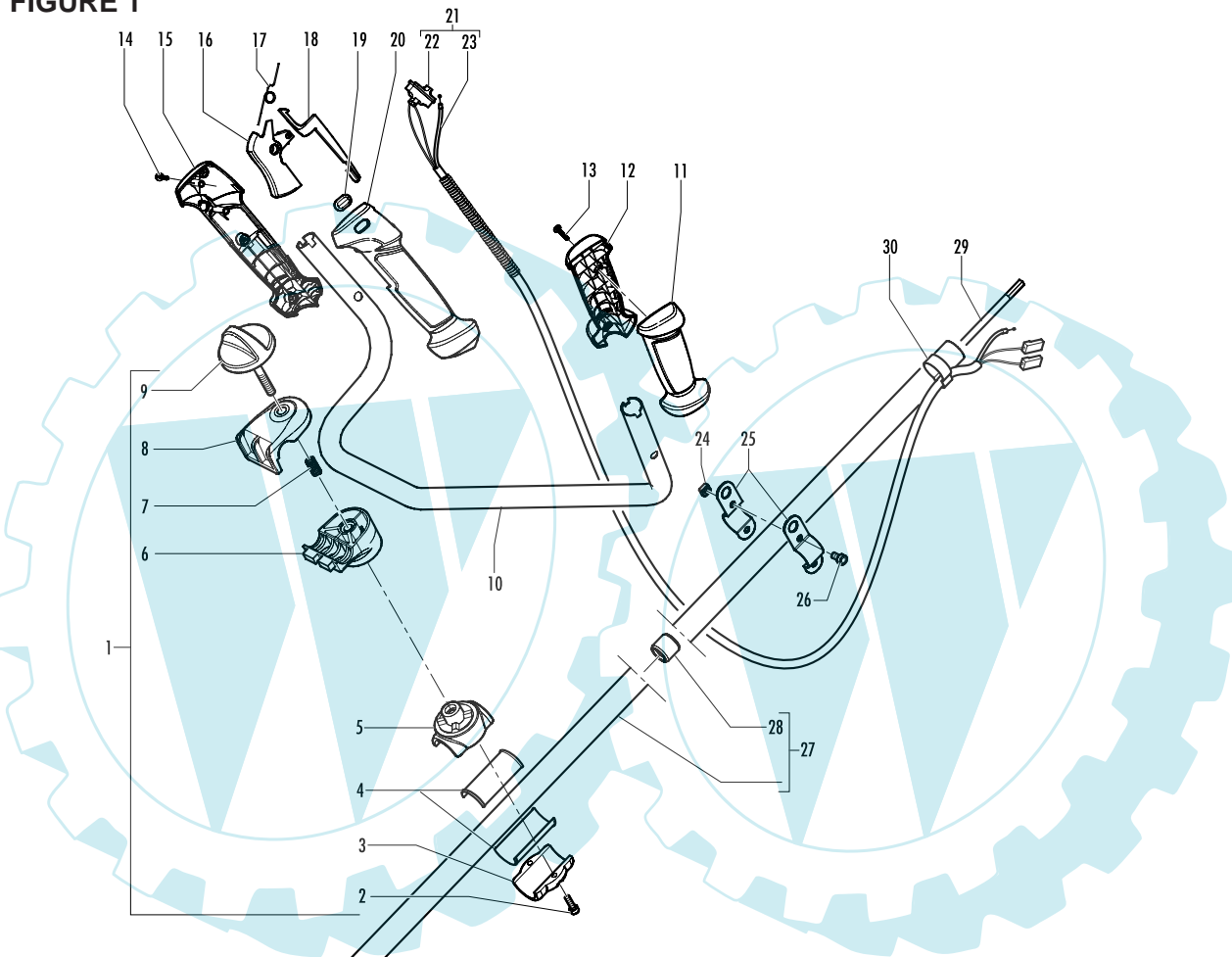
|       |           |
|-------|-----------|
| brand | MCCULLOCH |
|-------|-----------|

|      |        |           |
|------|--------|-----------|
| date | FEB/04 | SHEET 1/4 |
|------|--------|-----------|

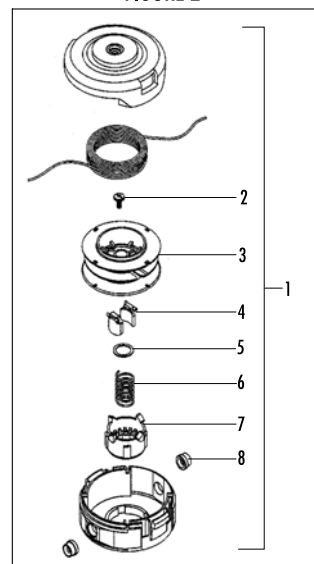
|                     |        |
|---------------------|--------|
| Model               | Prefix |
| <b>SUPREME 300B</b> | 01     |
|                     |        |
|                     |        |

|                  |
|------------------|
| Product number   |
| <b>953900508</b> |
|                  |
|                  |

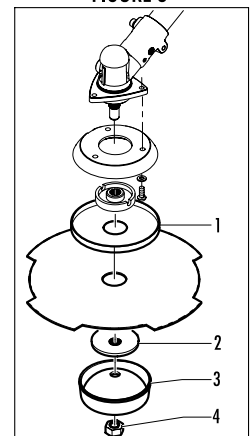
**FIGURE 1**



**FIGURE 2**



**FIGURE 3**



|       |                  |
|-------|------------------|
| brand | <b>MCCULLOCH</b> |
|-------|------------------|

|      |        |           |
|------|--------|-----------|
| date | FEB/04 | SHEET 2/4 |
|------|--------|-----------|

|                     |        |
|---------------------|--------|
| Model               | Prefix |
| <b>SUPREME 300B</b> | 01     |
|                     |        |
|                     |        |

|                  |
|------------------|
| Product number   |
| <b>953900508</b> |
|                  |
|                  |

**FIGURA 1**

| pos  | P/N McC  | P/N ELX   | Q.ty | DESCRIPTION               |
|------|----------|-----------|------|---------------------------|
| 1    | 242902   | 538242902 | 1    | clamp ass'y               |
| 2    | • 235806 | 538235806 | 2    | screw M5x20               |
| 3    | • 242900 | 538242900 | 1    | lower shaft clamp         |
| 4    | • 241684 | 538241684 | 2    | plastic clamp             |
| 5    | • 243122 | 538243122 | 1    | upper shaft clamp         |
| 6    | • 242897 | 538242897 | 1    | lower double handle clamp |
| 7    | • 242901 | 538242901 | 1    | spring                    |
| 8    | • 242898 | 538242898 | 1    | upper double handle clamp |
| 9    | • 242917 | 538242917 | 1    | knob and M8x65            |
| 10   | 249249   | 538249249 | 1    | handle bar                |
| 11   | 242536   | 538242536 | 1    | left handle (1/2)         |
| 12   | 242535   | 538242535 | 1    | right handle (1/2)        |
| 13   | 240862   | 538240862 | 1    | screw 4x18                |
| 14   | 240862   | 538240862 | 3    | screw 4x18                |
| 15   | 242533   | 538242533 | 1    | right handle (1/2)        |
| 16   | 242537   | 538242537 | 1    | gas lever trigger         |
| 17   | 242540   | 538242540 | 1    | trigger spring            |
| 18   | 242538   | 538242538 | 1    | trigger safety            |
| 19   | 242648   | 538242648 | 1    | rubber cap                |
| 20   | 242534   | 538242534 | 1    | left handle (1/2)         |
| C 21 | 242930   | 538242930 | 1    | wires ass'y               |
| C 22 | • 242439 | 538242439 | 1    | switch                    |
| C 23 | • 243061 | 538243061 | 1    | throttle cable            |
| 24   | 236642   | 538236642 | 2    | nut M6                    |
| 25   | 228152   | 538228152 | 2    | harness ring              |
| 26   | 235911   | 538235911 | 2    | screw M6x12               |
| C 27 | 242442   | 538242442 | 1    | shaft ass'y               |
| C 28 | • 228192 | 538228192 | 5    | bushing ass'y             |
| C 29 | 240486   | 538240486 | 1    | drive shaft               |
| 30   | 229850   | 538229850 | 2    | ring                      |
| 31   | 242728   | 538242728 | 1    | Gear box                  |
| 32   | • 240151 | 538240151 | 1    | screw M8x10               |
| 33   | 235802   | 538235802 | 1    | screw 5x14                |
| 34   | 235803   | 538235803 | 1    | screw 5x25                |
| 35   | 236529   | 538236529 | 2    | split washer              |
| 36   | 242729   | 538242729 | 1    | flange adapter            |
| 37   | 240688   | 538240688 | 3    | screw M5 and washer       |
| A 38 | 242815   | 538242815 | 1    | flange                    |
| B 39 | 242823   | 538242823 | 1    | spacer                    |

| pos  | P/N McC  | P/N ELX   | Q.ty | DESCRIPTION     |
|------|----------|-----------|------|-----------------|
| A 40 | FIGURE 2 |           | 1    | string head     |
| B 41 | 249155   | 538249155 | 1    | guard ass'y     |
| B 42 | • 242644 | 538242644 | 1    | guard extension |
| 43   | • 240862 | 538240862 | 1    | screw M4x18     |
| 44   | • 242752 | 538242752 | 1    | lower clamp     |
| 45   | • 242629 | 538242629 | 1    | upper clamp     |
| 46   | • 227563 | 538227563 | 4    | screw M5x16     |
| 47   | • 241973 | 538241973 | 1    | line cutter     |
| 48   | • 229208 | 538229208 | 2    | nut             |

**FIGURE 2**

|     |           |           |   |               |
|-----|-----------|-----------|---|---------------|
| A 1 | 538249346 | 538249346 | 1 | string head   |
| 2   | • 249374  | 538249374 | 1 | set screw     |
| C 3 | • 249375  | 538249375 | 1 | reel          |
| C 4 | • 249376  | 538249376 | 2 | ratchet       |
| C 5 | • 249377  | 538249377 | 1 | washer        |
| C 6 | • 249378  | 538249378 | 1 | return spring |
| C 7 | • 249379  | 538249379 | 1 | button        |
| C 8 | • 249380  | 538249380 | 2 | eyelet        |

**FIGURE 3**

|     |        |           |   |             |
|-----|--------|-----------|---|-------------|
| B 1 | 241155 | 538241155 | 1 | flange      |
| A 2 | 241006 | 538241006 | 1 | plate blade |
| A 3 | 236596 | 538236596 | 1 | cup         |
| A 4 | 240481 | 538240481 | 1 | nut         |

|                   |                 |                   |                    |
|-------------------|-----------------|-------------------|--------------------|
| A= ALTA ROTAZIONE | A=HIGH MOVING   | A=HAUTE DEMANDE   | A=GROßE NACHFRAGE  |
| B=MEDIA ROTAZIONE | B=MEDIUM MOVING | B=MOYENNE DEMANDE | B=MITTELMAßIGE     |
| C=BASSA ROTAZIONE | C=SLOW MOVING   | C=BASSE DEMANDE   | C=WENIGE NACHFRAGE |
| NUOVI CODICI      | NEW CODE        | NOUVEAU CODE      | NEU KODEX          |

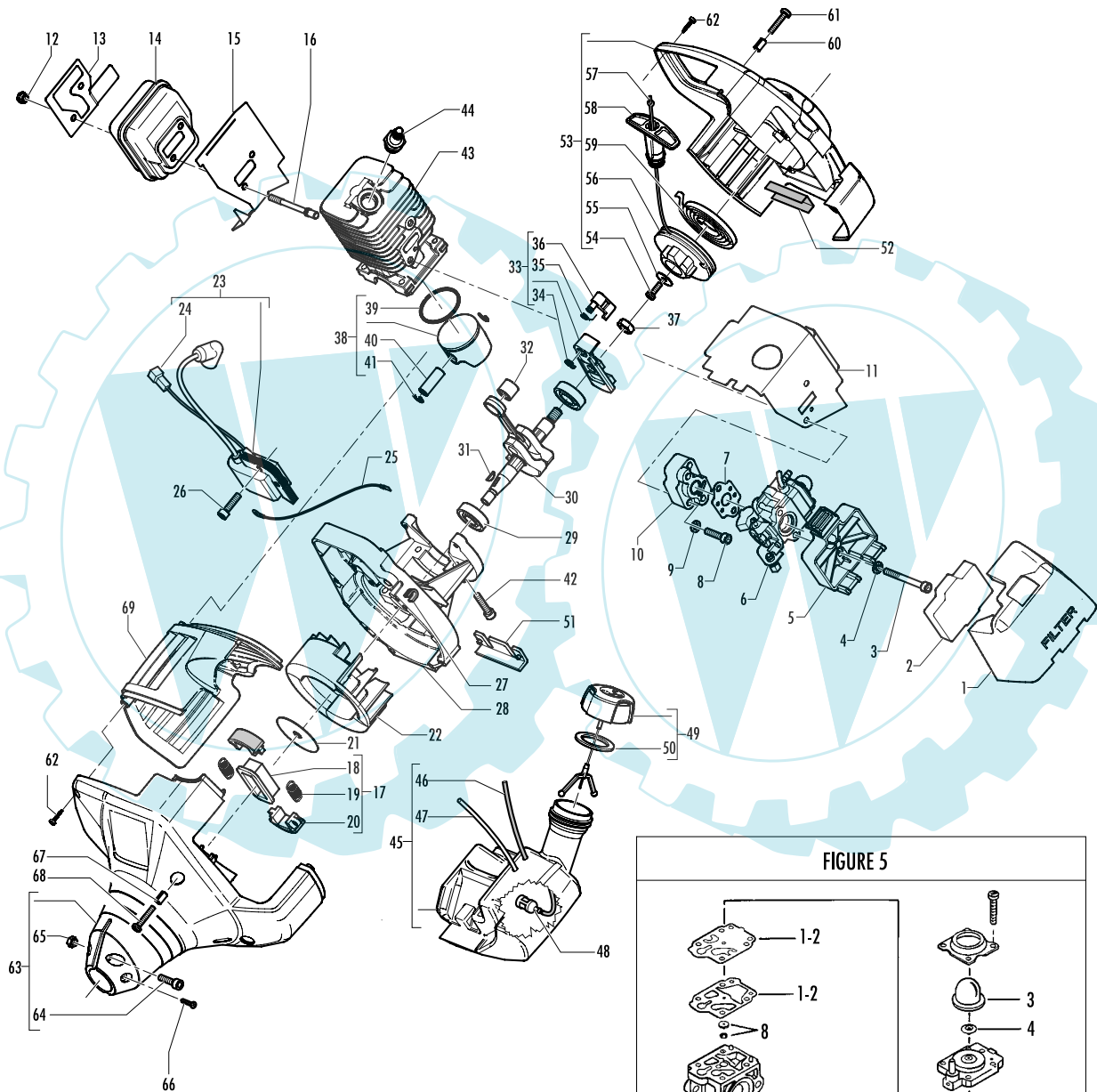
|       |           |
|-------|-----------|
| brand | MCCULLOCH |
|-------|-----------|

|      |        |           |
|------|--------|-----------|
| date | FEB/04 | SHEET 3/4 |
|------|--------|-----------|

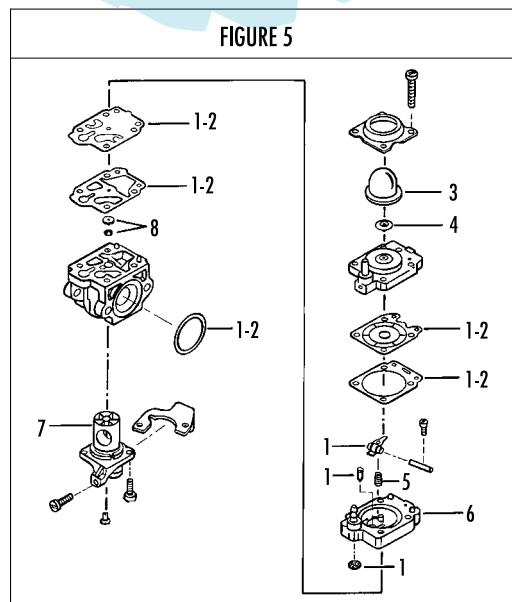
|                     |        |
|---------------------|--------|
| Model               | Prefix |
| <b>SUPREME 300B</b> | 01     |
|                     |        |
|                     |        |

|                  |
|------------------|
| Product number   |
| <b>953900508</b> |
|                  |
|                  |

**FIGURE 4**



**FIGURE 5**



|       |           |
|-------|-----------|
| brand | MCCULLOCH |
|-------|-----------|

|      |        |           |
|------|--------|-----------|
| date | FEB/04 | SHEET 4/4 |
|------|--------|-----------|

|                     |        |
|---------------------|--------|
| Model               | Prefix |
| <b>SUPREME 300B</b> | 01     |
|                     |        |
|                     |        |

|                  |
|------------------|
| Product number   |
| <b>953900508</b> |
|                  |
|                  |

**FIGURE 4**

| pos  | P/N McC  | P/N ELX   | Qty | DESCRIPTION           |
|------|----------|-----------|-----|-----------------------|
| C 1  | 242848   | 538242848 | 1   | filter cover          |
| A 2  | 242888   | 538242888 | 1   | air filter            |
| 3    | 235808   | 538235808 | 2   | screw M5x50           |
| 4    | 235248   | 538235248 | 2   | washer M5             |
| C 5  | 242847   | 538242847 | 1   | filter housing        |
| C 6  | FIGURE 5 |           |     | carburettor           |
| A 7  | 242851   | 538242851 | 1   | spacer gasket         |
| 8    | 242173   | 538242173 | 2   | screw M5x30           |
| 9    | 235248   | 538235248 | 2   | washer M5             |
| C 10 | 242849   | 538242849 | 1   | spacer                |
| B 11 | 242860   | 538242860 | 1   | cylinder gasket       |
| 12   | 235642   | 538235642 | 2   | nut M5                |
| 13   | 242962   | 538242962 | 1   | muffler shield        |
| C 14 | 242131   | 538242131 | 1   | muffler               |
| B 15 | 242859   | 538242859 | 1   | muffler gasket        |
| 16   | 242037   | 538242037 | 2   | muffler stud bolt     |
| B 17 | 241793   | 538241793 | 1   | clutch ass'y          |
| 18   | • 241789 | 538241789 | 1   | clutch hub            |
| A 19 | • 241794 | 538241794 | 2   | spring                |
| 20   | • 241743 | 538241743 | 2   | clutch shoe           |
| 21   | 241604   | 538241604 | 1   | clutch dust shield    |
| 22   | 241796   | 538241796 | 1   | flywheel              |
| C 23 | 249387   | 538249387 | 1   | ignition coil ass'y   |
| 24   | • 242959 | 538242959 | 1   | switch wire           |
| 25   | 242891   | 538242891 | 1   | ground wire           |
| 26   | 235806   | 538235806 | 2   | screw M5x20           |
| 27   | 242895   | 538242895 | 1   | wires protection      |
| 28   | 242029   | 538242029 | 1   | Engine crankcase      |
| C 29 | 242030   | 538242030 | 2   | grommet/bearing ass'y |
| 30   | 242003   | 538242003 | 1   | crank shaft ass'y     |
| C 31 | 227631   | 538227631 | 1   | key                   |
| C 32 | 235742   | 538235742 | 1   | needle bearing        |
| C 33 | 241784   | 538241784 | 1   | starter pawl ass'y    |
| 34   | • 111088 | 538111088 | 1   | snap ring             |
| 35   | • 241782 | 538241782 | 1   | spring                |
| 36   | • 241781 | 538241781 | 1   | pawl                  |
| 37   | 241624   | 538241624 | 1   | nut M8                |
| C 38 | 249179   | 538249179 | 1   | piston kit            |
| B 39 | • 242602 | 538242602 | 1   | piston ring           |

| pos  | P/N McC  | P/N ELX   | Qty | DESCRIPTION      |
|------|----------|-----------|-----|------------------|
| 40   | • 241735 | 538241735 | 1   | piston pin       |
| 41   | • 235008 | 538235008 | 2   | snap ring        |
| 42   | 235803   | 538235803 | 4   | screw M5x25      |
| C 43 | 242543   | 538242543 | 1   | cylinder         |
| A 44 | 322208   | 538322208 | 1   | RDJ6J Spark plug |
| C 45 | 242889   | 538242889 | 1   | fuel tank ass'y  |
| B 46 | • 229789 | 538229789 | 1   | hose             |
| B 47 | • 242527 | 538242527 | 1   | primer bulb hose |
| A 48 | 93720    | 538093720 | 1   | fuel pickup      |
| B 49 | 242484   | 538242484 | 1   | fuel cap ass'y   |
| B 50 | • 236564 | 538236564 | 1   | cap seal         |
| 51   | 242038   | 538242038 | 1   | tank grommet     |
| 52   | 242039   | 538242039 | 1   | tank grommet     |
| C 53 | 242886   | 538242886 | 1   | starter ass'y    |
| 54   | • 241077 | 538241077 | 1   | screw 4x14       |
| 55   | • 241703 | 538241703 | 1   | washer           |
| B 56 | • 241620 | 538241620 | 1   | starter pulley   |
| A 57 | • 241746 | 538241746 | 1   | starter rope     |
| 58   | • 242852 | 538242852 | 1   | starter handle   |
| B 59 | • 241619 | 538241619 | 1   | starter spring   |
| 60   | 228260   | 538228260 | 3   | bushing          |
| 61   | 241963   | 538241963 | 3   | screw M4x22      |
| 62   | 240862   | 538240862 | 3   | screw 4x18       |
| C 63 | 242887   | 538242887 | 1   | joint ass'y      |
| 64   | • 235806 | 538235806 | 1   | screw 5x20       |
| 65   | • 235216 | 538235216 | 1   | nut              |
| 66   | 229632   | 538229632 | 1   | screw 3.5x13     |
| 67   | 241617   | 538241617 | 4   | bushing          |
| 68   | 241963   | 538241963 | 4   | screw 4x22       |
| 69   | 242845   | 538242845 | 1   | engine cover     |

**FIGURE 5 WALBRO WYJ 358**

| pos | P/N McC   | P/N ELX   | Qty | DESCRIPTION        |
|-----|-----------|-----------|-----|--------------------|
| B   | 242885    | 538242885 | 1   | carburetor WYJ538  |
| A 1 | • 247955  | 538247955 | 1   | repair kit K20 WYJ |
| C 2 | •• 247956 | 538247956 | 1   | repair kit D20 WYJ |
| C 3 | • 225834  | 538225834 | 1   | primer             |
| C 4 | • 247957  | 538247957 | 1   | valve              |
| C 5 | • 247958  | 538247958 | 1   | spring             |
| C 6 | • 249419  | 538249419 | 1   | pumping body       |
| C 7 | • 249418  | 538249418 | 1   | valve              |
| C 8 | • 249417  | 538249417 | 1   | jet                |

|                   |                 |                   |                    |
|-------------------|-----------------|-------------------|--------------------|
| A=ALTA ROTAZIONE  | A=HIGH MOVING   | A=HAUTE DEMANDE   | A=GROßE NACHFRAGE  |
| B=MEDIA ROTAZIONE | B=MEDIUM MOVING | B=MOYENNE DEMANDE | B=MITTELMAßIGE     |
| C=BASSA ROTAZIONE | C=SLOW MOVING   | C=BASSE DEMANDE   | C=WENIGE NACHFRAGE |
| NUOVI CODICI      | NEW CODE        | NOUVEAU CODE      | NEU KODEX          |